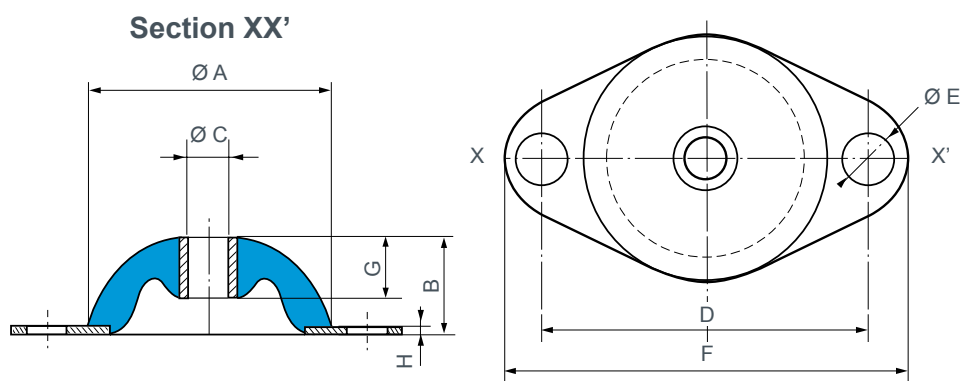


# POLYFLEX

Natural frequency : (1)  
9 to 20 Hz



## DIMENSIONS

| Reference     | Ø A (mm) | B (mm) | Ø C (mm) | D (mm) | Ø E (mm) | F (mm) | G (mm) | H (mm) |
|---------------|----------|--------|----------|--------|----------|--------|--------|--------|
| <b>532300</b> | 30       | 16     | 6        | 40     | 6,1      | 50     | 8      | 1,5    |
| <b>532500</b> | 50       | 20     | 8        | 66     | 8,2      | 82     | 13     | 2      |
| 532563        | 55       | 23     | 10,1     | 90     | 8,2      | 106    | 15     | 3      |
| <b>532561</b> | 60       | 25     | 12,2     | 76     | 8,5      | 95     | 20     | 4      |
| <b>532750</b> | 75       | 30     | 12,2     | 95     | 11,0     | 118    | 25     | 6      |

See current price list for availability of items.

## OPERATING CHARACTERISTICS

| Reference     | Nominal static load (daN) | Deflection (mm) | Hardness |
|---------------|---------------------------|-----------------|----------|
| <b>532300</b> | 1-5                       | 3               | 45       |
| <b>532300</b> | 1-7                       | 2               | 60       |
| <b>532300</b> | 2-8                       | 1               | 75       |
| <b>532500</b> | 2-10                      | 4               | 45       |
| <b>532500</b> | 3-15                      | 3               | 60       |
| 532563        | 4-18                      | 5               | 45       |
| <b>532500</b> | 5-20                      | 2,5             | 75       |
| <b>532561</b> | 7-30                      | 3               | 45       |

| Reference     | Nominal static load (daN) | Deflection (mm) | Hardness |
|---------------|---------------------------|-----------------|----------|
| 532563        | 7-30                      | 5               | 60       |
| <b>532561</b> | 10-40                     | 2               | 60       |
| <b>532561</b> | 10-50                     | 1,5             | 75       |
| <b>532750</b> | 10-50                     | 4               | 45       |
| 532563        | 15-60                     | 5,5             | 75       |
| <b>532750</b> | 15-65                     | 3               | 60       |
| <b>532750</b> | 20-80                     | 1,5             | 75       |

1) the indicated natural frequency, are valid for the maxi loads of the ranges of use quoted in the paragraph : TECHNICAL CHARACTERISTICS.